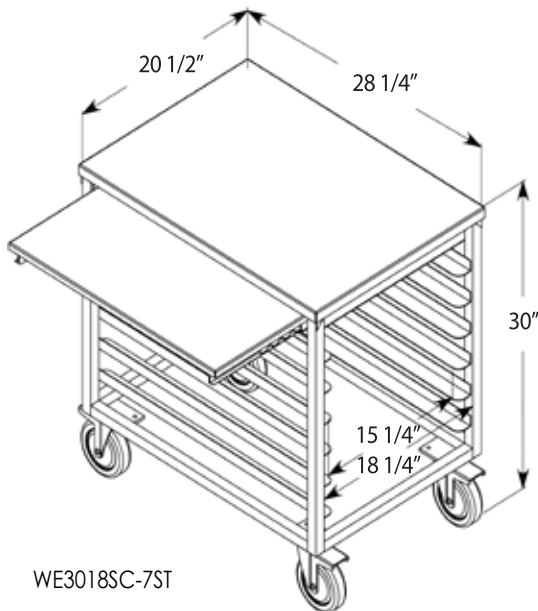


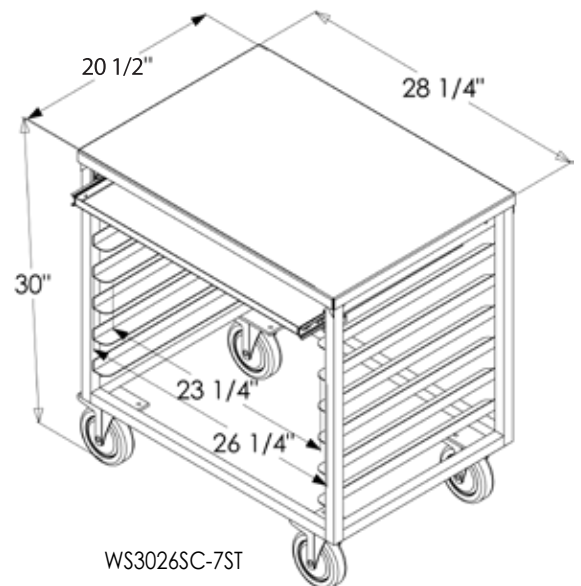
- **Designed With You In Mind**
- **Easy Clean & Easy Side Load Design**
- **16 Gauge Stainless Steel**
Removable Top
Pull Out Drawer Slide
Extends Up To 20" Out From Cart
- **1" H x 1½" W Aluminum Slides**
Welded to Frame
- **Holds**
Two (2) 9" x 26" Deli Trays Per Slide
18" x 26" Full Size Sheet Pans
- **3" Spacing**
7 - Full Size Pan Capacity
14 - Half Size Pan Capacity
- **"Total Locking Swivel Casters"**
Simultaneously Locks The Swivel & Wheel Making
The Unit Stationary (CHTLPGG-5)
- **All Welded Aluminum Frame – Will Not Rust**
No Assembly Required
- **Holds Up To 500 lbs.**
Evenly Distributed Static Load



WS3026SC-7ST
*Slicer Shown for
Demonstrational Purpose
- Slicer Not Included.



WE3018SC-7ST



WS3026SC-7ST

Slicer/Mixer/Scale Cart			
Model Number	Description	Size W x H x L	Weight #
WS3026SC-7ST	Side Load	28¼" x 30" x 20½"	50
WE3018SC-7ST	End Load	20½" x 30" x 28¼"	50