

Water Filtration Products.



R295-CL



R295-CL

RATIONAL Water Filtration Products Model R295-CL water filtration system helps provide consistent high quality water for your RATIONAL combi by reducing the effects of sediment, chloramines, chlorine, taste & odor while providing required flow rates for Combi-Duo models 6-full size/6-full size, 6-full size/10-full-size or if used for more than 2 units. For each additional unit add one additional head and cartridge.

Product Benefits

- › Carbon block technology effectively reduces chloramines, chlorine, taste & odor for better equipment protection.
- › NSF Standard 42 and FDA CFR-21 compliant materials.
- › Sanitary Quick Change (SQC) encapsulated cartridge design allows for fast and easy cartridge change-outs with 1/4" turn.
- › 3/4" MNPT horizontal inlet and outlet ports allow direct or easily adaptable connections to existing plumbing lines.

Model Number	Article No.	Reduction Claims	Nominal Micron Rating	Capacity	Service Flow Rate	Replacement Cartridge
R295-CL	1900.1150US	Sediment, Chloramines ¹ , Chlorine, Taste and Odor	5.0 ²	60,000 gallons (227,100 liters)	5.0 gpm (18.9 lpm)	R295-CL (Qty 2) 1900.1155US

1 As tested and certified by independent third party laboratory

2 NSF Certified for Particulate Reduction

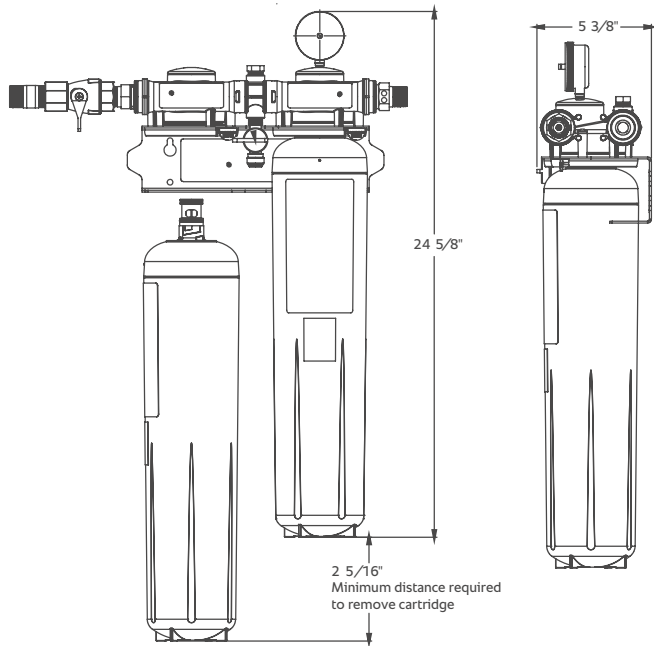


Visit www.nsf.org for the claims associated with products that are NSF listed.

Water Filtration Products.



R295-CL



Application Guide

- › 6-full size/6-full size or 6-full size/10-full-size.
State: Add up to 2 additional units with extra heads and cartridges.

Important: Installation Tips

These installation tips are for informational purposes only and are not intended to be used as actual installation instructions. CAUTION: To reduce the risk associated with property damage due to water leakage:

- › Read and follow Use Instructions before installation and use of this system.
- › Installation and use **must** comply with all state and local plumbing codes.
- › Protect from freezing, remove filter cartridge when temperatures are expected to drop below 40 °F (4.4 °C).
- › Do not install on hot water supply lines. The maximum operating water temperature of this filter system is 100 °F (37.8 °C).
- › Do not install if water pressure exceeds 125 psi (862 kPa). If your water pressure exceeds 80 psi (552 kPa), you must install a pressure limiting valve. Contact a plumbing professional if you are uncertain how to check your water pressure.
- › Do not install where water hammer conditions may occur. If water hammer conditions exist you must install a water hammer arrester. Contact a plumbing professional if you are uncertain how to check for this condition.
- › The disposable filter cartridge **must** be replaced every 12 months, at the rated capacity or sooner if a noticeable reduction in flow rate occurs.

Warning

To reduce the risk associated with the ingestion of contaminants: Do not use with water that is microbiologically unsafe or of unknown quality without adequate disinfection before or after the system.

RATIONAL recommends regularly scheduled maintenance and replacement of the filter cartridge(s) in order for the product to perform as advertised/sold. RATIONAL shall not be liable for system failures due to improper maintenance.

RATIONAL USA

1701 Golf Road
Suite C-120, Commerce
Rolling Meadows, IL 60008

Tel. 888-320-7274 (Toll Free)
Fax 847-755-9583

info@rational-online.us
rationalusa.com

Limited Warranty

RATIONAL warrants this Product will be free from defects in material and manufacture for five (5) years from the date of purchase: The filter cartridge or filter membrane is warranted to be free from defects in material and manufacture for one (1) year. This warranty does not cover failures resulting from abuse, misuse, alteration or damage not caused by RATIONAL Water Filters or failure to follow installation and use instructions. No warranty is given as to the service life of any filter cartridge or membrane as it will vary with local water conditions and water consumption. RATIONAL MAKES NO OTHER WARRANTIES OR CONDITIONS, EXPRESS OR IMPLIED, INCLUDING, BUT NOT LIMITED TO, ANY IMPLIED WARRANTY OR CONDITION OF MERCHANTABILITY OR FITNESS FOR A PARTICULAR PURPOSE OR ANY IMPLIED WARRANTY OR CONDITION ARISING OUT OF A COURSE OF DEALING, CUSTOMER OR USAGE OF TRADE. If the Product fails to satisfy this Limited Warranty during the warranty period, RATIONAL will replace the Product or refund your Product purchase price. This warranty does not cover labor. The remedy stated in this paragraph is Customer's sole remedy and RATIONAL exclusive obligation. For additional information, see the entire Limited Warranty located in the product Installation and Operating Instruction Manual.

Limitation of Liability. RATIONAL will not be liable for any loss or damage arising from this RATIONAL product, whether direct, indirect, special, incidental, or consequential, regardless of the legal theory asserted, including warranty, contract, negligence or strict liability. Some states and countries do not allow the exclusion or limitation of incidental or consequential damages, so the above limitation or exclusion may not apply to you.