



ELECTRIC TWO COMPARTMENT CONVECTION STEAMER ON CABINET BASE



Model SX-55EC

SPECIFICATIONS:

Shall be a Crown model _____, convection steamer with individual electric steam generators for each cavity, c-CSA-us and NSF Certified. The steamer shall be constructed of #4 finish stainless steel, type 304. The cooking chamber is a one piece all welded, type 316 stainless steel with coved corners. The heavy duty door shall have an inner liner of stainless steel, with a full perimeter gasket seal, an outer liner of one piece all welded stainless steel, and a positive lock and seal mechanism with spring release. Each compartment shall be provided with removable stainless steel pan supports. A stainless steel drip trough shall be integrally connected to the drain to collect condensate when the doors are opened.

The control housing shall be constructed of stainless steel with a full access removable panel. The controls shall include an illuminated three way power switch (On/Off/Delime), a pilot ready light, a pilot cooking light, a 60 minute electric timer which sounds an audible signal at the end of the cooking cycle and solid state generator controls. Steam flow to the cooking chamber shall be cut off when the door is opened and reactivated when the door is closed.

Standard features include automatic generator blow down, de-lime mode power setting, de-lime port located at the rear of the unit for each generator, and split water connections for simple hook up for a treated water system. The steamer shall be mounted on 28" high, all stainless steel constructed cabinet base with operable door for storage and 6" high stainless steel adjustable legs with rear flanged feet for floor anchoring.

Model	Compartments	Capacity
SX-34EC	2	1-7 Pans
SX-55EC	2	1-10 Pans

OPERATION SHALL BE BY:

Electrically heated steam generator operating at 0 psi (0 kPa) with field replaceable elements rated at:

- SX-34EC - 7.5 kW + 10 kW
- SX-55EC - 12 kW + 12 kW

The generator shall be equipped for operation on:

- 208 VAC, 3 Phase, 50/60 Hz.
- 220 VAC, 3 Phase, 50/60 Hz.
- 240 VAC, 3 Phase, 50/60 Hz.
- 380/220 VAC, 3 Phase, 50/60 Hz, 4 wire.

OPTIONAL ITEMS AT EXTRA COST:

- 380 VAC, 3 Phase, 50/60 Hz.
- 480 VAC, 3 Phase, 50/60 Hz.
- 120 minute timers.
- High sensitivity level controls (R.O. water).
- Continuous Steam Mode.
- Load Compensated timers (LCT-2).
- Front flanged adjustable feet (FFF-2).
- Correctional package.

ACCESSORIES:

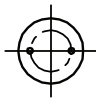
- 12" x 20" pan guides for cabinet base.
- Water in "Y" strainer (YS-1).
- Single pantry 60" (1.52m) spray hose and bracket (SP-SH).
- Double pantry 60" (1.52m) spray hose and bracket (DP-SH).

Job

Item#

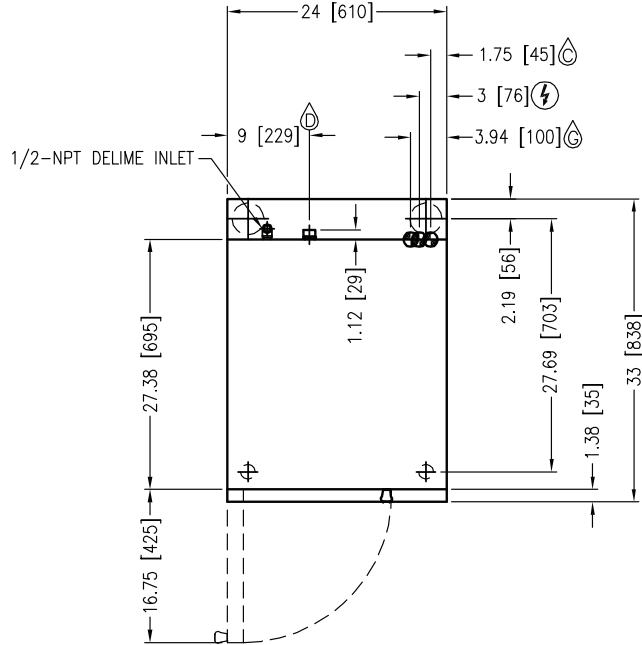
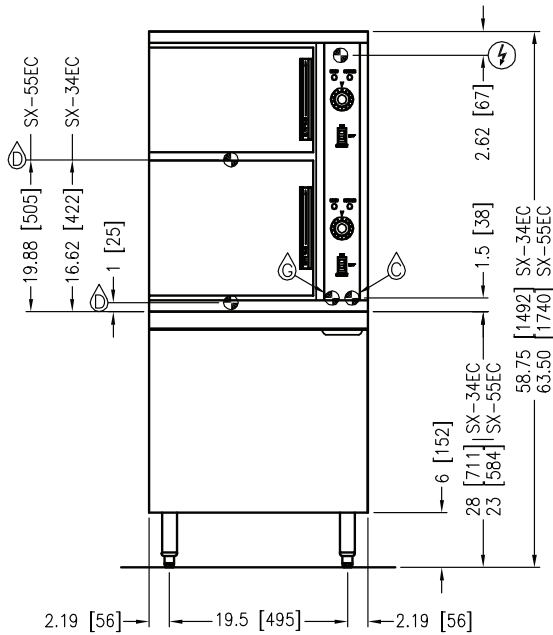


Models: SX-34EC SX-55EC



REAR FLANGED FOOT DETAIL
 2 EQUALLY SPACED
 Ø7/16" [11mm] HOLES
 ON 2.5" [63mm] B.C.

MODEL	SHIPPING WEIGHT	MIN. CLEARANCE
SX-34EC	350 lbs. [159 kg.]	SIDES 0 [0 mm] BACK 0 [0 mm]
SX-55EC	395 lbs. [179 kg.]	SIDES 0 [0 mm] BACK 0 [0 mm]



ELECTRICAL CHARACTERISTICS

MODEL	KW	PHASE	AMPS PER LINE				
			208V	220V	240V	380V	480V
SX-34EC	17.5	3	49	46	42	26.6	21.1
SX-55EC	30	3	83.3	78.7	72.2	45.6	36.1

SERVICE CONNECTIONS

- ⚡ – ELECTRICAL CONNECTION: 1 1/8" hole for electrical connection. Rating to be as specified on data plate.
- Ⓛ – DRAIN: 1" IPS piped to open floor drain. No Solid Connection. 24" length before open air gap opening (no bends or elbows)
- Ⓜ – GENERATOR WATER: 3/8" O.D. tubing at 25-50 PSI (170-345 kPa)
- Ⓞ – CONDENSATE COLD WATER: 3/8" O.D. tubing at 25-50 PSI (170-345 kPa)

WATER QUALITY STATEMENT

Water quality is the major factor affecting the performance of your appliance. If you are unsure of water quality, consult a local water treatment specialist and have the water analyzed. Your water supply must be within these general guidelines:

- Total dissolved solidsLess than 60 PPM
- Total alkalinityLess than 20 PPM
- Silica.....Less than 13 PPM
- ChlorineLess than 1.5 PPM
- pH Factor7.0 - 8.5

Water which fails to meet these standards should be treated by installation of water conditioner.

FAILURE OR MALFUNCTION OF THIS APPLIANCE DUE TO POOR WATER QUALITY IS NOT COVERED UNDER WARRANTY. CONTACT CROWN FOR WATER QUALITY SOLUTIONS.

**INTENDED FOR COMMERCIAL USE ONLY.
 NOT FOR HOUSEHOLD USE.**



70 Oakdale Road, Toronto ON, Canada M3N 1V9
 (919) 762-1000 www.crownsteamgroup.com